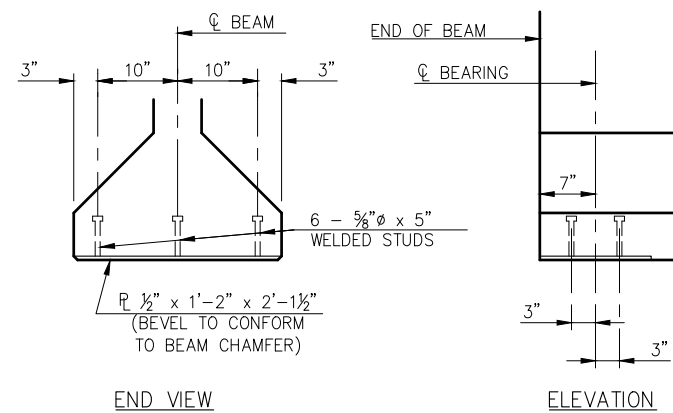
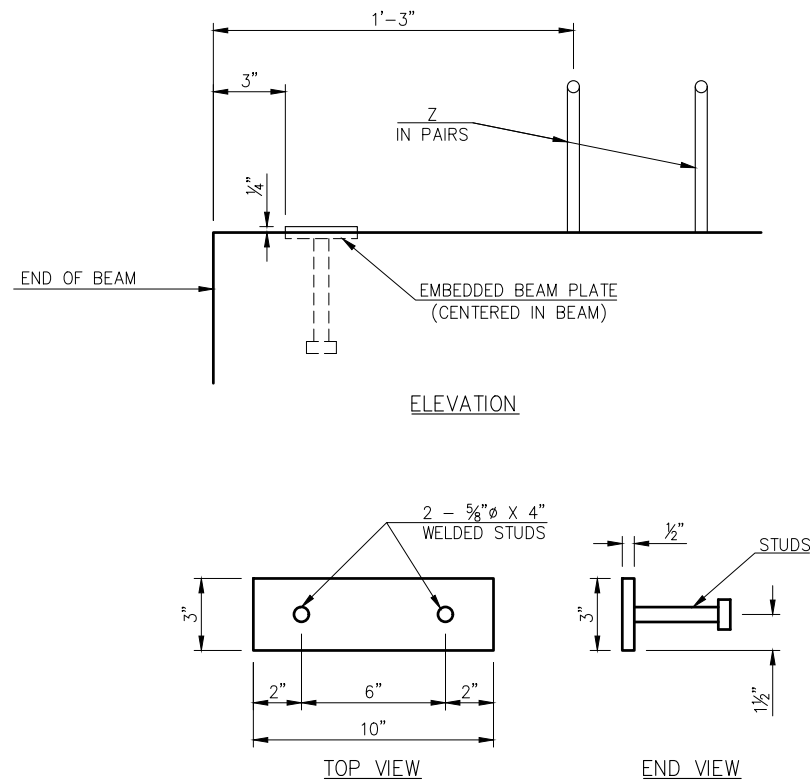


REVISIONS		
REV. NO.	DESCRIPTION	DATE



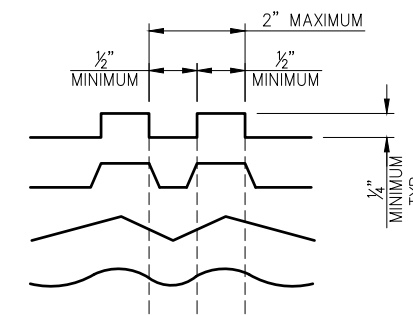
**EMBEDDED SOLE PLATE DETAILS**

NOTE: PROVIDE AN EMBEDDED SOLE PLATE AT EACH END OF THE BEAM.



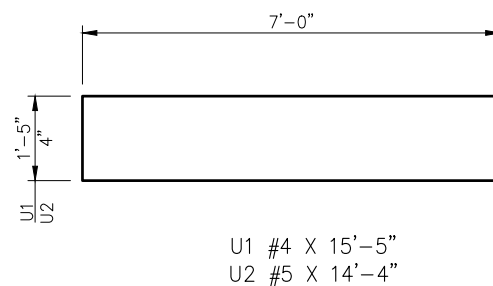
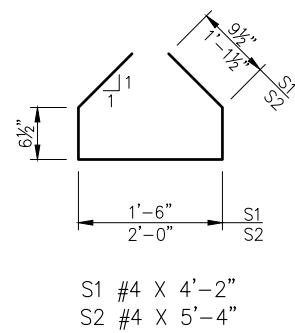
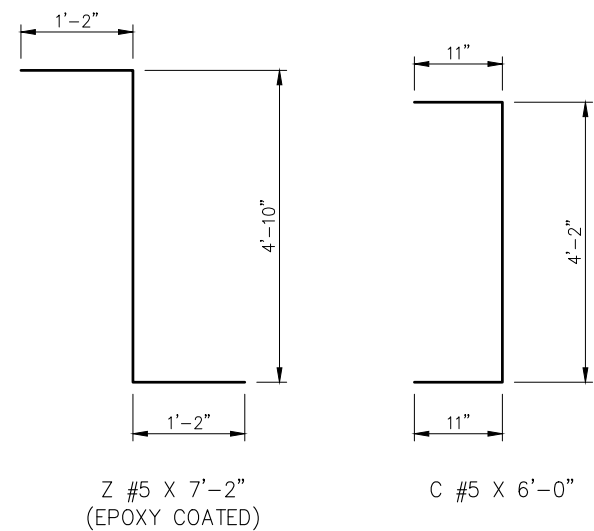
**EMBEDDED BEAM PLATE DETAILS**

NOTE: PROVIDE AN EMBEDDED BEAM PLATE AT EXPANSION ENDS ONLY.



**INTENTIONALLY ROUGHENED SURFACE DETAILS**

INTENTIONALLY ROUGHEN THE ENTIRE TOP SURFACE OF P.C. BEAM TO A MINIMUM HEIGHT OF 1/4" OVER A MAXIMUM PITCH OF 2" MEASURED LONGITUDINALLY ALONG THE LENGTH OF THE BEAM. PROVIDE A CREST AND TROUGH ASSOCIATED WITH THE HEIGHT OF NOT LESS THAN 1/2". PRODUCE THE ROUGHENED SURFACE BY USING A SPECIAL TROWEL TO FORM ONE OF THE SURFACES SHOWN IN THE DETAILS, BY CLEANING THE CONCRETE SURFACE WITH A STIFF WIRE BRUSH (OR BLASTING) TO EXPOSE THE AGGREGATE TO A HEIGHT OF 1/4", OR BY USING ANOTHER APPROVED METHOD. SUBMIT THE METHOD TO BE USED FOR APPROVAL BY THE ENGINEER. REPAIR ANY DAMAGE TO REINFORCEMENT'S EPOXY COATING BEFORE PLACEMENT OF DECK CONCRETE.



Monday, July 31, 2017 4:22:51 PM V:\12-716E SH-28 Salt Creek JP 28857\STRUCTURAL\DWG\Salt Creek - BEAMS 85 100.dwg

DESIGN	MBS	5/14	SH-28 OVER SALT CREEK	NOWATA COUNTY
DETAIL	SLP	5/14	BRIDGE "A"	
CHECK	MBS	3/15		
GUY ENGINEERING SERVICES, INC.			STATE JOB PIECE NO. 28857(04)	SHEET NO. B027

**DETAILS OF TYPE IV P.C. BEAMS**